

LCD-111

Double Arm LCD Monitor Mounting Bracket

SPECIFICATION

Model Name
→ LCD-111

Description
→ LCD Monitor Mounting Arm

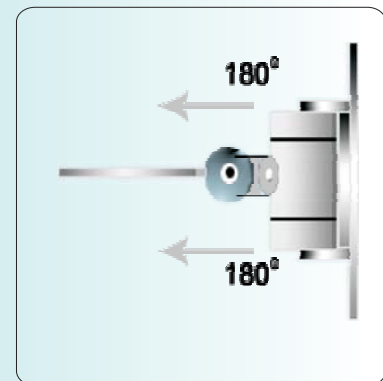
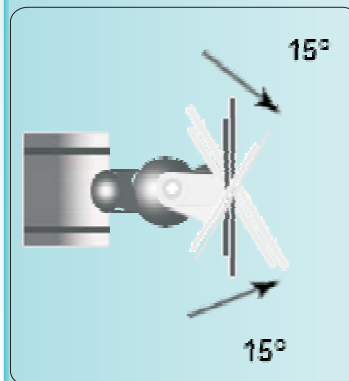
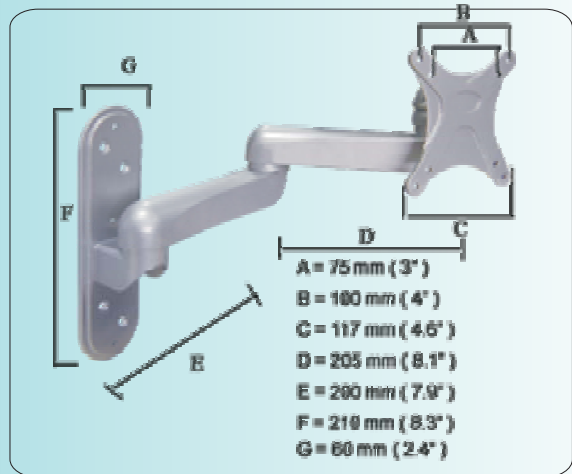
Compatible with
→ VESA 75/100 mm

Max. Load
→ 15 KG

Material
→ Steel

Min. Dist from LCD to wall
→ 105 mm

Max. Dist from LCD to wall
→ 405 mm



LCD-111



Prime Source Technologies Pvt. Ltd.
Web site : www.primesource.in