

LCD-112

Single Arm LCD Monitor Mounting Bracket

SPECIFICATION

Model Name
→ LCD-112

Description
→ LCD Monitor Mounting Arm

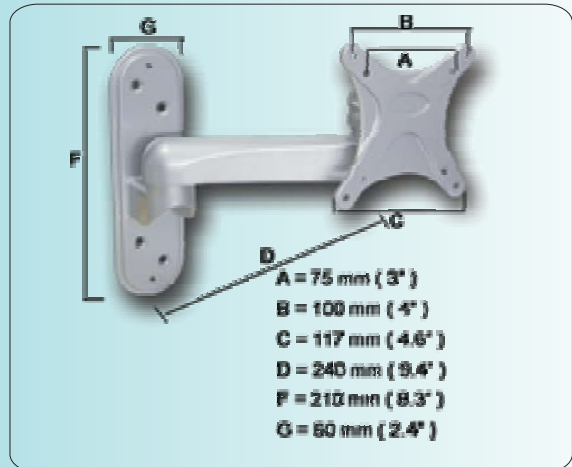
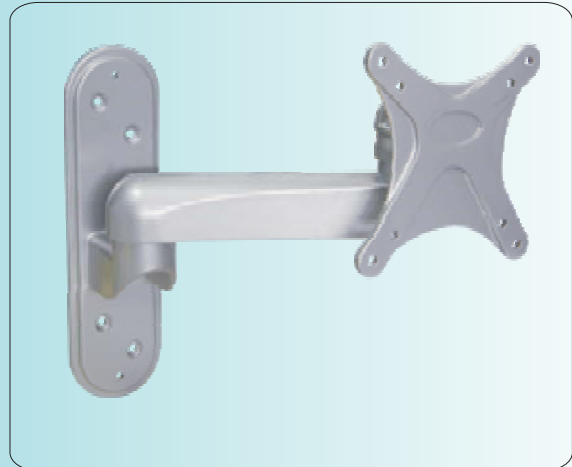
Compatible with
→ VESA 75/100 mm

Max. Load
→ 15 KG

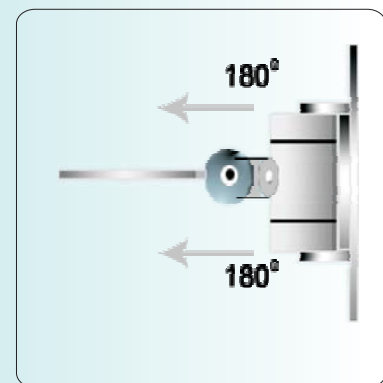
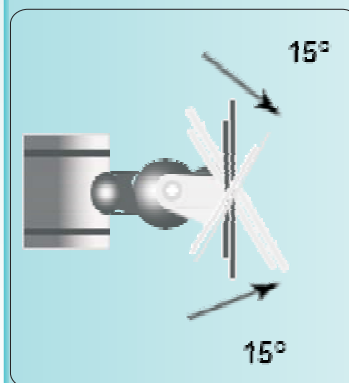
Material
→ Steel

Min. Dist from LCD to wall
→ 105 mm

Max. Dist from LCD to wall
→ 405 mm



● LCD-112



Prime Source Technologies Pvt. Ltd.
Web site : www.primesource.in