

PRB-1

Projector Mounting Bracket

SPECIFICATION

Model Name
→ PRB-1

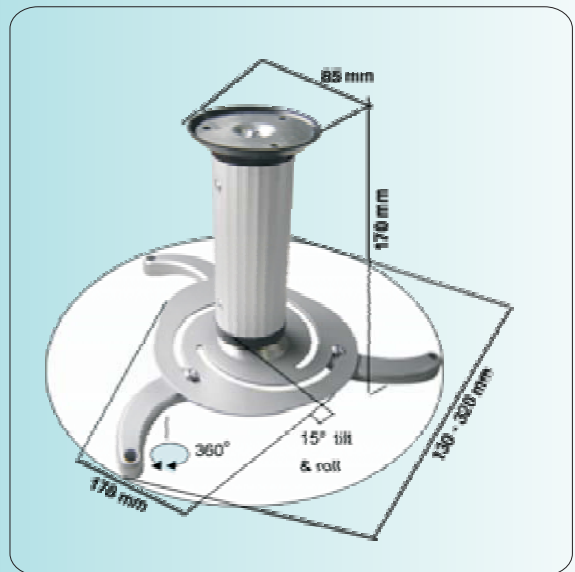
Description
→ Projector Mounting Bracket

Max. Load
→ 10 KG

Material
→ Aluminium

Min. Dist from Projector to Ceiling
→ 100 mm

Max. Dist from Projector to Ceiling
→ 170 mm



● PRB-1



Prime Source Technologies Pvt. Ltd.
Web site : www.primesource.in